

P380WA
P1000WB-A

MOUNTED REFRIGERATORS



**Single Door Cooler
(Fan Cooling)**

P380WA



**Hinged Door
(Fan Cooling)**

P1000WB-A

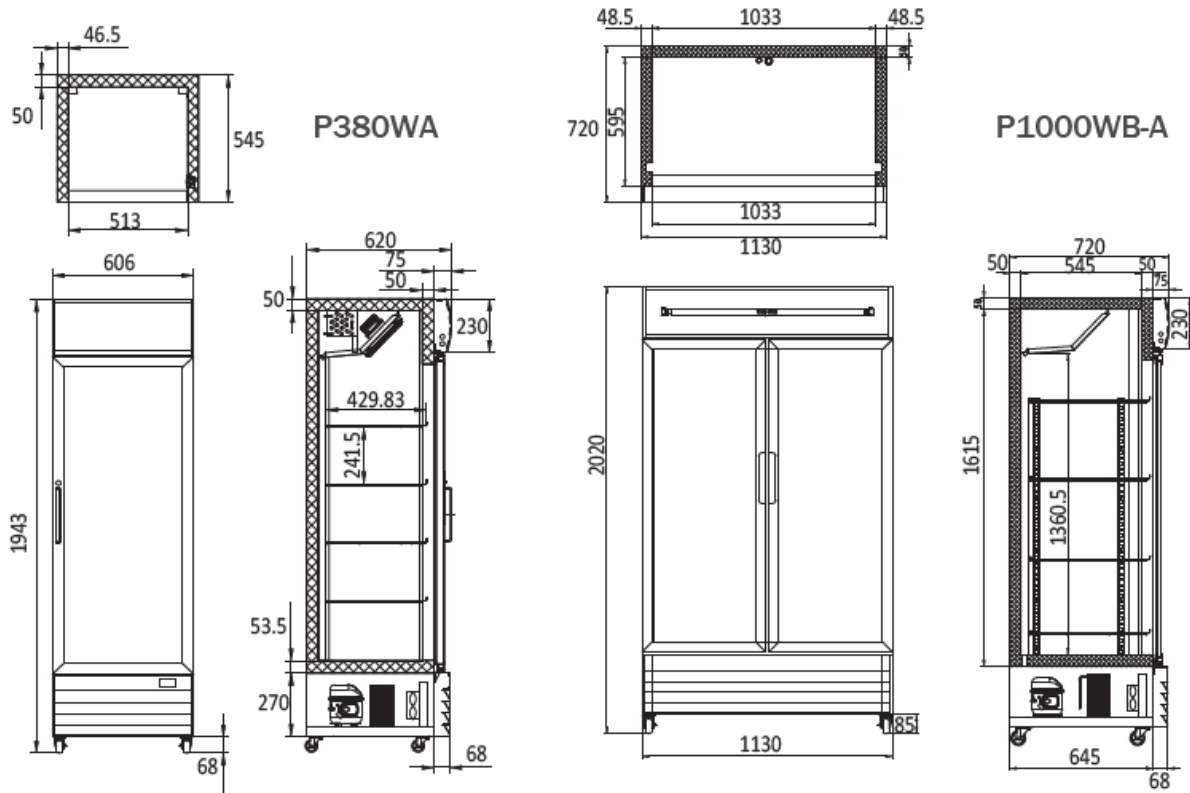
FEATURES

- *Fan cooling, 0-10°C*
- *Power coated steel interior and exterior*
- *Self-evaporation water tray*
- *With 2 vertical inside LED light and canopy LED light*
- *Digital control with led display, auto defrost*
- *Double layer glass door, temper glass*
- *Self-closing door with lock and key*
- *4 strong caster, front 2 with brake*
- *With wooden pallet for packing*



P380WA
P1000WB-A

MOUNTED REFRIGERATORS



INFORMATION	P380WA	P1000WB-A
Capacity	380L	1000L
Power	300W	550W
Voltage	220V~240V/50Hz	220V~240V/50Hz
Working Temp	0°C~+10°C	0°C~+10°C
Ambient Temp	38°C	38°C
Dimensions(mm)	W606 x D620 x H1940,75kg	W1130 x D720 x H2023,142kg
Packaging Dimensions(mm)	W645 x D665 x H2005,80kg	W1180 x D770 x H2100,160kg



2 YEARS WARRANTY ON ALL PARTS & LABOUR

*EXTRA 2 YEARS WARRANTY ON PARTS WHEN YOU REGISTER WITH US ONLINE